

Modular Laboratory Casework and Laboratory Tables

HATFIELD offers two series of Laboratory Cabinets.

Our **Premium Series** that feature, sound deadening doors and drawers, stainless steel pulls and hinges, removable back panel to access utilities and integrated toe base with leveling glides.

Drawers feature ball bearing slides.

Cupboards include adjustable shelves and removable pans.

We also offer our **Economy Series** who's items start with the prefix C.

These heavy duty cabinets are extra deep we offer them in both 26" and 30" depths.

They are offered with painted steel hinges and plastic pulls to keep your cost down. (See back Cover)

The economy series does not offer the sound deadening design

IN STOCK *



This is a condensed brochure.

Many specialty products, fittings and standard products are available from HATFIELD not shown in this flyer.

Please call with your requirement.

Islands With Modular Uprights and Shelving



Traditional Casework and Wall Units shown with Resin Surfaces and Back Splash



Laboratory Tables including:

- simple four leg design
- cantilever design
- hand crank or electric height adjustable

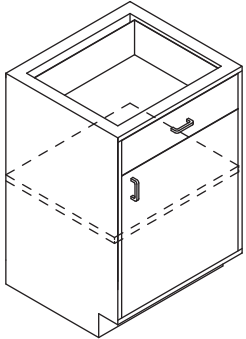
PREMIUM SERIES

Available in three heights:

- Sitting
- Mid-Height
- Standing

29.375" For sitting height add the suffix SI
 32.290" For mid-height add the suffix MH
 35.250" For standing add the suffix ST

- All cupboards include an adjustable steel shelf
- Fully Welded Housings with Leveling Glides
- Sound deadening doors and drawers
- Stainless Steel pulls and five knuckle stainless steel hinges (other materials available upon request)



* One 6" high drawer above cupboard

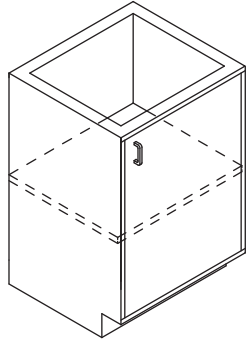
Right Hinged

| Part No. | Width |
|-------------|-------|
| LC16SDR15 | 15" |
| * LC16SDR18 | 18" |
| LC16SDR21 | 21" |
| LC16SDR24 | 24" |

Left Hinged

| Part No. | Width |
|-------------|-------|
| LC16SDL15 | 15" |
| * LC16SDL18 | 18" |
| LC16SDL21 | 21" |
| LC16SDL24 | 24" |

IN STOCK *



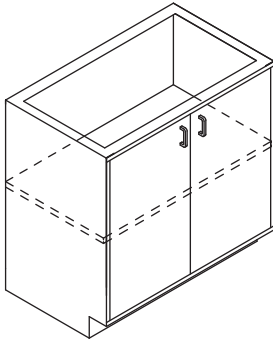
* One cupboard with shelf

Right Hinged

| Part No. | Width |
|----------|-------|
| LCSDR15 | 15" |
| LCSDR18 | 18" |
| LCSDR21 | 21" |
| LCSDR24 | 24" |

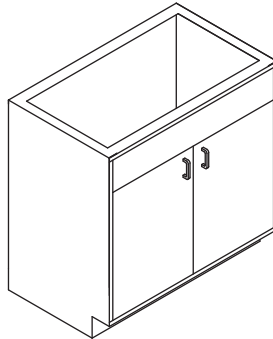
Left Hinged

| Part No. | Width |
|----------|-------|
| LCSDL15 | 15" |
| LCSDL18 | 18" |
| LCSDL21 | 21" |
| LCSDL24 | 24" |



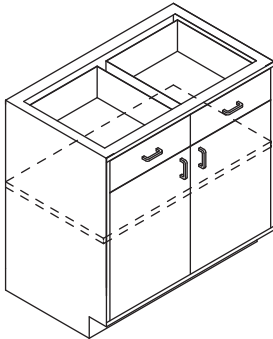
* Double swing door cupboard

| Part No. | Width |
|----------|-------|
| LCDS30 | 30" |
| LCDS36 | 36" |
| LCDS42 | 42" |
| LCDS48 | 48" |



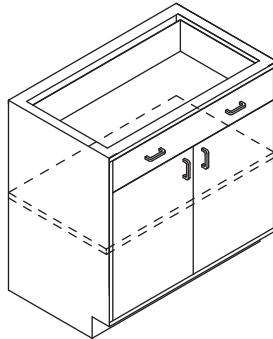
* Double swing door cupboard with 6" front on top

| Part No. | Width |
|----------|-------|
| LCDS6F30 | 30" |
| LCDS6F36 | 36" |
| LCDS6F42 | 42" |
| LCDS6F48 | 48" |



* Two 6" drawers and Double swing door cupboard

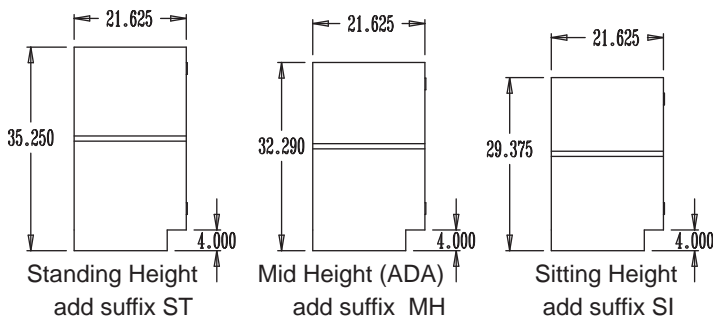
| Part No. | Width |
|-----------|-------|
| LC26DSD30 | 30" |
| LC26DSD36 | 36" |
| LC26DSD42 | 42" |
| LC26DSD48 | 48" |



* One 16" drawer and Double swing door cupboard

| Part No. | Width |
|-----------|-------|
| LC16DSD30 | 30" |
| LC16DSD36 | 36" |
| LC16DSD42 | 42" |
| LC16DSD48 | 48" |

Above models available in three heights.



Sinks, gas fittings, overhead lighting and electrical available per your specifications.

Optional Locks, each drawer locks independent of each other.

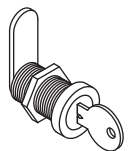
Lock for drawers and single swing doors . each drawer requires its own lock. Locks are keyed randomly unless other wise specified.

LCLDR

Lock for drawers and single doors.

LCLSD

Lock for double swing doors.



Locks must be purchased with initial cabinet purchase.

Call us to help you specify your lab.

PREMIUM SERIES CONTINUED



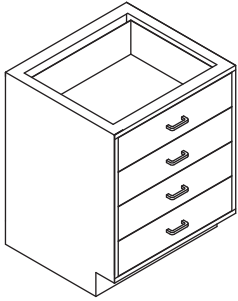
File Drawers



Optional Pull Out Shelves



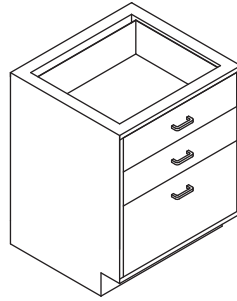
90% extension slides



* Four 6" high drawers

| Part No. | Width |
|----------|-------|
| LC4615 | 15" |
| LC4618 | 18" |
| LC4621 | 21" |
| LC4624 | 24" |

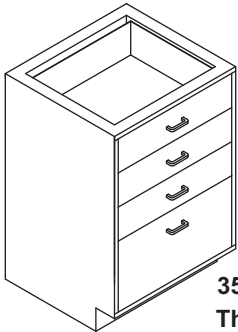
Available 29.375" or 32.290" High Only
add suffix MH or SI to part number.



* Two 6" high drawers and one 12" drawer.

| Part No. | Width |
|-----------|-------|
| LC2611215 | 15" |
| LC2611218 | 18" |
| LC2611221 | 21" |
| LC2611224 | 24" |

Available 29.375" or 32.290" High Only
add suffix MH or SI to part number.

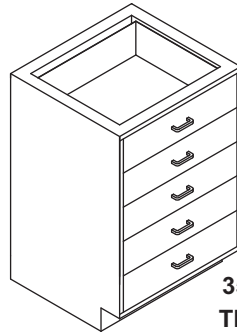


* Three 6" high drawers and one 12" drawer.

| Part No. | Width |
|---------------|-------|
| LC3611215ST | 15" |
| * LC3611218ST | 18" |
| LC3611221ST | 21" |
| LC3611224ST | 24" |

IN STOCK *

35.250" High **ST**
This model available standing height only.

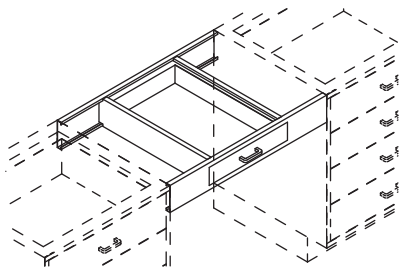


* Five 6" high drawers.

| Part No. | Width |
|----------|-------|
| LC5615ST | 15" |
| LC5618ST | 18" |
| LC5621ST | 21" |
| LC5624ST | 24" |

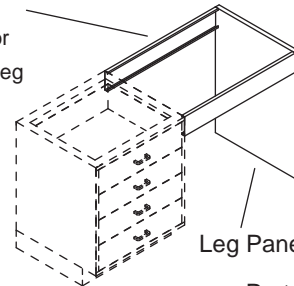
35.250" High **ST**
This model available standing height only.

Knee Space Drawer
3" drawer built into knee space available in six lengths 21.625" deep.



| Part No. | Length |
|----------|--------|
| KSD324 | 24" |
| KSD330 | 30" |
| KSD336 | 36" |
| KSD342 | 42" |
| KSD348 | 48" |
| KSD360 | 60" |

Knee Space Braces
Connect two cabinets or connect a cabinet to a leg panel.



| Part No. | Length |
|----------|--------|
| KSB24 | 24" |
| KSB30 | 30" |
| KSB36 | 36" |
| KSB42 | 42" |
| KSB48 | 48" |
| KSB60 | 60" |

Leg Panels 21.625" deep

| Part No. | High |
|-----------|---------|
| CLP29.375 | 29.375" |
| CLP32.290 | 32.290" |
| CLP35.250 | 35.250" |



Knee Space Braces with and with out drawer.



Filler panels enclose the space between the cabinet and the wall.

Filler panels are also used on islands when two cabinets are being placed back to back.

Bolt on design allows you to easily access utilities behind the cabinet.

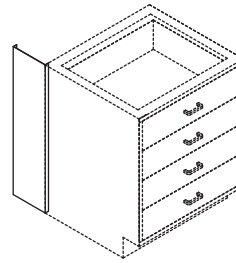
PREMIUM SERIES CONTINUED

Knee Space Panel
(modesty panel)

| Part No. | Length |
|-----------------------|--------|
| KSP24 | 24" |
| KSP30 | 30" |
| KSP36 | 36" |
| KSP42 | 42" |
| KSP48 | 48" |
| KSP60 | 60" |
| KSP72 | 72" |
| add suffix SI 25.375" | high |
| add suffix MH 28.290" | high |
| add suffix ST 31.250" | high |

Bolt on design allows you to easily access utilities behind the cabinet.

Filler panels enclose space between the wall and cabinet, or between 2 cabinets.

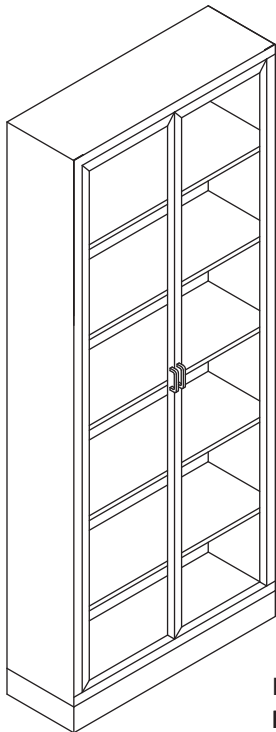


| Part No. | Width |
|----------|---------|
| FP2.375 | 2.375" |
| FP3.375 | 3.375" |
| FP4.375 | 4.375" |
| FP5.375 | 5.375" |
| FP6.375 | 6.375" |
| FP7.375 | 7.375" |
| FP8.375 | 8.375" |
| FP10.375 | 10.375" |
| FP11.375 | 11.375" |
| FP12.375 | 12.375" |
| FP13.375 | 13.375" |
| FP14.375 | 14.375" |
| FP15.375 | 15.375" |

Add suffix

| | | | |
|---------|----|----------|---------|
| 29.375" | SI | FP13.375 | 13.375" |
| 32.290" | MH | FP14.375 | 14.375" |
| 35.250" | ST | FP15.375 | 15.375" |

Glass door cabinets shown add suffix GD for glass doors. For solid steel doors add suffix SO.



Swing Door Cases, double doors solid doors and framed glass doors (glass shown) and sliding glass doors.

| Part No. | Width |
|----------|-------|
| FMSDCD30 | 30" |
| FMSDCD36 | 36" |
| FMSDCD42 | 42" |
| FMSDCD48 | 48" |

Price includes 5 adjustable shelves

13" deep x 84.625" high

Floor cabinets include leveling feet.

Glass door cabinets shown add suffix GD for glass doors.

For solid steel doors add suffix SO.
For sliding glass doors add suffix SDGD.

Wall cabinets come standard with swing doors. Also available with sliding glass doors as shown on the right.

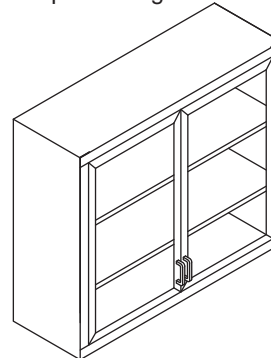
Shelves in the wall cabinets are adjustable on 9/16 centers.

Sliding glass doors ride on roller bearing track.

Wall cabinets come standard with hanging bracket that mounts to wall or our upright system.



13" deep x 31" high



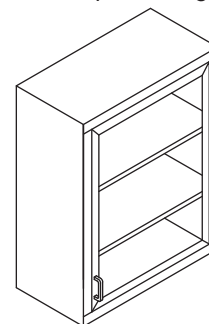
Swing Door Cases, double doors solid doors and framed glass doors (glass shown)

| Part No. | Width |
|-----------|-------|
| HSDCD30 | 30" |
| * HSDCD36 | 36" |
| HSDCD42 | 42" |
| HSDCD48 | 48" |

IN STOCK *

Price includes 2 Shelves and hanging kit.

13" deep x 31" high



Swing Door Cases, solid doors and framed glass doors (glass shown)

| Part No. | Width |
|-------------|-------|
| Hinged left | |
| HSDCL15 | 15" |
| HSDCL18 | 18" |
| HSDCL21 | 21" |
| HSDCL24 | 24" |

Hinged right

| | |
|---------|-----|
| HSDCR15 | 15" |
| HSDCR18 | 18" |
| HSDCR21 | 21" |
| HSDCR24 | 24" |

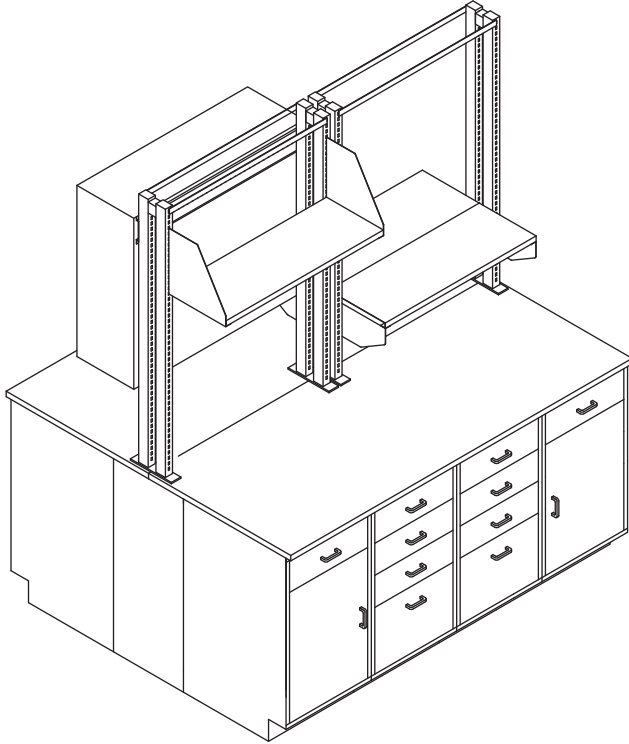
Includes 2 Shelves and hanging kit.



*Solid or Glass Door Cabinets.
Solid doors incorporate sound deadening design.*

PREMIUM SERIES CONTINUED

Easily Configure your island lab lay out to meet your requirement. Using our modular uprights, shelving and modular cabinets.



Modular adjustable uprights allow you to add and easily move shelving to meet your requirement. Shelves adjust on 3/4" centers, we offer both shelving that mounts to front of upright or shelves that mount to rear of upright so that the shelves meet in the middle with no gap. Our hanging wall cabinets easily mount to upright with no tools.

Surface Mounted Uprights doublesided for islands and single sided for wall units, wall units connect to surface and wall.

| Standard height 49" above surface. | Part No. | Width |
|---------------------------------------|-------------------|---------------|
| | IMUR4924 | 24" |
| | IMUR4930 | 30" |
| | * IMUR4936 | 36" |
| | IMUR4942 | 42" |
| | IMUR4948 | 48" |
| | IN STOCK * | Wall Mounting |
| | WMUR4924 | 24" |
| | WMUR4930 | 30" |
| | WMUR4936 | 36" |
| | WMUR4942 | 42" |
| WMUR4948 | 48" | |

Cantilver Over Counter Steel Shelves. Mount to outside of upright

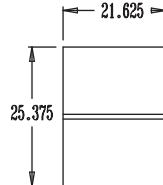
| Outer Shelf 12" deep | Part No. | Width |
|----------------------|-------------------|-------|
| | OSL1224 | 24" |
| | OSL1230 | 30" |
| | * OSL1236 | 36" |
| | OSL1242 | 42" |
| | OSL1248 | 48" |
| | IN STOCK * | |

Cantilver Over Counter Steel Shelves. Mount to inside of upright allows two shelves to meet in the center.

| Inner Shelf 12" deep | Part No. | Width |
|----------------------|-------------------|-------|
| | ISL1224 | 24" |
| | ISL1230 | 30" |
| | * ISL1236 | 36" |
| | ISL1242 | 42" |
| | ISL1248 | 48" |
| | IN STOCK * | |

Hanging Lab Cabinets.

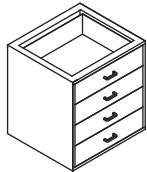
Hanging cabinets allow you to store items when a full row of cabinets is not required. Keeping down the over all cost of your lab.



Fully Welded Housings

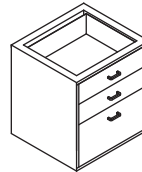
Price includes hanging kit.
25.375" High x 21.625" Deep
Sound deadening doors and drawers roller bearing slides.
Stainless Steel pulls and five knuckle stainless steel hinges.
24 Standard models to choose from.

Four 6" high drawers



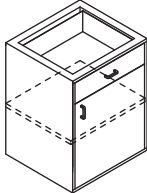
| Part No. | Width |
|----------|-------|
| HLC4615 | 15" |
| HLC4618 | 18" |
| HLC4621 | 21" |
| HLC4624 | 24" |

Two 6" high drawers and one 12" drawer.



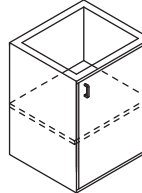
| Part No. | Width |
|------------|-------|
| HLC2611215 | 15" |
| HLC2611218 | 18" |
| HLC2611221 | 21" |
| HLC2611224 | 24" |

Right Hinged One 6" high drawer above cupboard



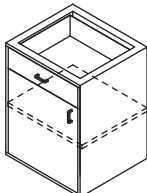
| Part No. | Width |
|------------|-------|
| HLC16SDR15 | 15" |
| HLC16SDR18 | 18" |
| HLC16SDR21 | 21" |
| HLC16SDR24 | 24" |

Right Hinged One cupboard with shelf



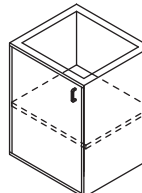
| Part No. | Width |
|----------|-------|
| HLCSDR15 | 15" |
| HLCSDR18 | 18" |
| HLCSDR21 | 21" |
| HLCSDR24 | 24" |

Left Hinged One 6" high drawer above cupboard



| Part No. | Width |
|-----------|-------|
| LC16SDL15 | 15" |
| LC16SDL18 | 18" |
| LC16SDL21 | 21" |
| LC16SDL24 | 24" |

Left Hinged One cupboard with shelf

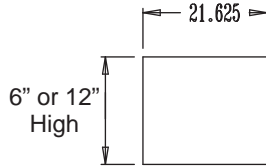


| Part No. | Width |
|----------|-------|
| HLCSDL15 | 15" |
| HLCSDL18 | 18" |
| HLCSDL21 | 21" |
| HLCSDL24 | 24" |

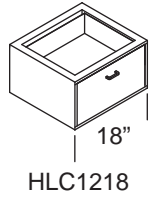
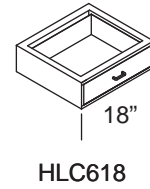
PREMIUM SERIES CONTINUED

Hanging Lab Drawers.

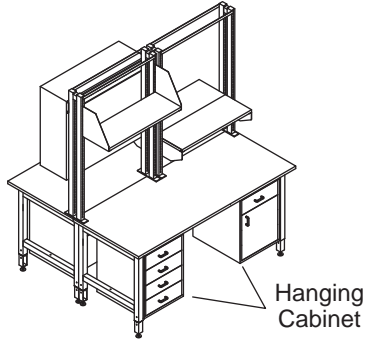
If you do not require the storage space a cabinet offers, these high quality drawers are the perfect answer.



Fully Welded Housings
Price includes hanging kit.
6" or 12" High, 21.625" deep
Sound drawer.
2 Standard models to choose from.
18" wide.

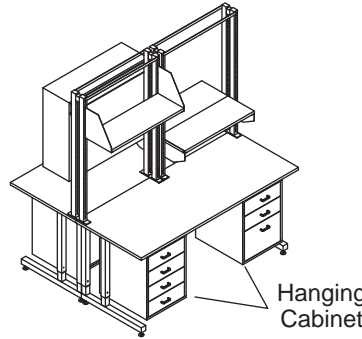


Below are examples of laboratory tables that accept the hanging cabinets and drawers.



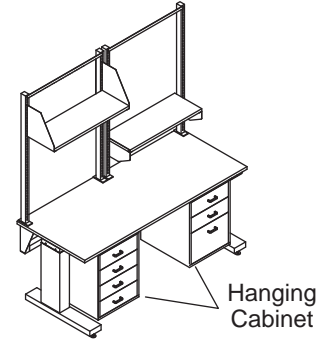
Model HD

Four leg design lab table with multiple work surface choices, standard height model adjusts from 30" to 36" high. 5,000 pounds capacity.



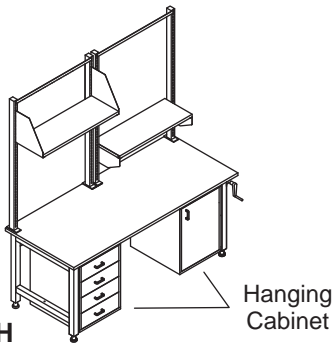
Model CHD

Cantilever design lab table standard height adjusts from 30" to 36" high.



Model MVSII

Electric height adjustable lab table, adjusts via electric lead screw from 30.5" high to 42.5" high. 1000 pounds capacity.



Model ELH

Four leg hand crank height adjustable table, surface adjusts from 30" to 42" high. 750 pounds capacity

Examples of Hanging Cabinets



The Model HDL

| Part No. | Surface | Length | Width | Height | |
|-----------|-----------------|--------|-------|--------|-----------------------|
| HDL6030ER | Epoxy Resin | 60 | 30 | 30 | other sizes available |
| HDL6030SS | Stainless Steel | 60 | 30 | 30 | |
| HDL6030CG | Chem-Guard | 60 | 30 | 30 | |
| HDL7230ER | Epoxy Resin | 72 | 30 | 30 | |
| HDL7230SS | Stainless Steel | 72 | 30 | 30 | |
| HDL7230CG | Chem-Guard | 72 | 30 | 30 | |

Sturdy four leg design, featuring 4" front and back rails to allow operators to work on either side, price includes PVC to protect legs during clean ups. Standard Height 30"



| Part No. | Surface | Length | Width | Height | |
|------------|-----------------|--------|-------|--------|-----------------------|
| HDSS6030ER | Epoxy Resin | 60 | 30 | 30 | other sizes available |
| HDSS6030SS | Stainless Steel | 60 | 30 | 30 | |
| HDSS6030CG | Chem-Guard | 60 | 30 | 30 | |
| HDSS7230ER | Epoxy Resin | 72 | 30 | 30 | |
| HDSS7230SS | Stainless Steel | 72 | 30 | 30 | |
| HDSS7230CG | Chem-Guard | 72 | 30 | 30 | |

Heavy duty four leg bench with stainless steel frame, three work surface choices stainless steel, epoxy resin and Chem-guard chemical resistant laminate.

WORK SURFACES

HATFIELD Laboratory Furniture offers many different choices for work surfaces. For laboratory applications the four most popular are Epoxy Resin, Phenolic Resin, Stainless Steel and Chem-Guard chemical resistant laminate surfaces.

We also offer plastic and ESD laminate surfaces with "T" mold edging or square self edging or 90 degree rolled front comfort edge and 180 degree rolled front edge, for clean-room and laboratory applications these surfaces can be laminated on both sides. We also offer HDPE surfaces and solid maple surfaces.

Should you need a work surface not listed here, feel free to give us a call.

| Base Part No./ Size | Plastic Laminate .125 | ESD Laminate .125 | Solid Maple 1.75" | Chem Guard® 1.25" | Black Phenolic Resin 1" | Black Epoxy Resin 1" | Stainless Steel 1.25" |
|--------------------------|---------------------------------|----------------------------------|---------------------------------|----------------------------------|---------------------------------|-----------------------------------|---------------------------------|
| WS4830 48"x30" | WS4830PL Wgt. Lbs 45 | WS4830ESD Wgt. Lbs 45 | WS4830SM Wgt. Lbs 70 | WS4830CG Wgt. Lbs 45 | WS4830PR Wgt. Lbs 110 | WS4830ER Wgt. Lbs 110 | WS4830SS Wgt. Lbs 70 |
| WS4836 48"x36" | WS4836PL Wgt. Lbs 54 | WS4836ESD Wgt. Lbs 54 | WS4836SM Wgt. Lbs 84 | WS4836CG Wgt. Lbs 54 | WS4836PR Wgt. Lbs 132 | WS4836ER Wgt. Lbs 132 | WS4836SS Wgt. Lbs 84 |
| WS6030 60"x30" | WS6030PL Wgt. Lbs 56 | WS6030ESD Wgt. Lbs 56 | WS6030SM Wgt. Lbs 87 | WS6030CG Wgt. Lbs 56 | WS6030PR Wgt. Lbs 138 | WS6030ER Wgt. Lbs 138 | WS6030SS Wgt. Lbs 87 |
| WS6036 60"x36" | WS6036PL Wgt. Lbs 68 | WS6036ESD Wgt. Lbs 68 | WS6036SM Wgt. Lbs 105 | WS6036CG Wgt. Lbs 68 | WS6036PR Wgt. Lbs 165 | WS6036ER Wgt. Lbs 165 | WS6036SS Wgt. Lbs 106 |
| WS7230 72"x30" | WS7230PL Wgt. Lbs 68 | WS7230ESD Wgt. Lbs 68 | WS7230SM Wgt. Lbs 105 | WS7230CG * Wgt. Lbs 68 | WS7230PR Wgt. Lbs 165 | WS7230ER * Wgt. Lbs 165 | WS7230SS Wgt. Lbs 106 |
| WS7236 72"x36" | WS7236PL Wgt. Lbs 81 | WS7236ESD Wgt. Lbs 81 | WS7236SM Wgt. Lbs 126 | WS7236CG Wgt. Lbs 81 | WS7236PR Wgt. Lbs 198 | WS7236ER Wgt. Lbs 198 | WS7236SS Wgt. Lbs 119 |
| WS9630 96"x30" | WS9630PL Wgt. Lbs 90 | WS9630ESD Wgt. Lbs 90 | WS9630SM Wgt. Lbs 140 | WS9630CG Wgt. Lbs 90 | WS9630PR Wgt. Lbs 220 | WS9630ER Wgt. Lbs 220 | WS9630SS Wgt. Lbs 132 |
| WS9636 96"x36" | WS9636PL Wgt. Lbs 108 | WS9636ESD Wgt. Lbs 108 | WS9636SM Wgt. Lbs 168 | WS9636CG Wgt. Lbs 108 | WS9636PR Wgt. Lbs 264 | WS9636ER Wgt. Lbs 264 | WS9636SS Wgt. Lbs 165 |
| Edges | "T" Mold | "T" Mold | Eased | Square Edge | Square Edge | Square Edge | Square Edge |

IN STOCK *



Phenolic Resin | Epoxy Resin | Chem Guard®

WORK SURFACE COLORS



*Other Colors Available at an Additional charge

PLASTIC LAMINATE WORK SURFACE COLORS

WHITE Standard SW806

*Other Colors Available at an Additional charge



*Black SE101 *Royal Blue SB009 *Beige ST617 *French Blue SB005 *Mercury (Lt. Gray) SG204

PAINTED STEEL COLORS POWDER COAT PAINTED STEEL AND ACCESSORIES

Chemical Resistant SEFA Compliant Powder Coat Paint Colors

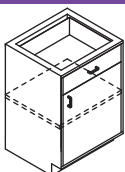
| | | | | |
|---------|---------|---------|---------|---------|
| SF8-013 | SF8-511 | SF8-512 | SF8-010 | SF8-014 |
| GRAY | BLUE | BEIGE | BLACK | WHITE |

Note: SEFA-8 paint finish is smooth, standard paint finishes are textured.

Hatfield Laboratory Furniture can also match any RAL paint number or paint chip.

Standard Textured Colors

| | | | | |
|-------|-------|-------|--------|--------|
| 505T2 | 530T2 | 607T3 | PLH606 | RFW627 |
|-------|-------|-------|--------|--------|



How to order a modular lab cabinet.

| | | | | |
|---|----------|-----------|---------------|-----------------------------|
| Part No. LC16SDR18 | Width | Height | Color | Complete Part Number |
| Deluxe Lab Cabinet with 6" drawer and swing door right. | 18 | ST | RFW627 | |
| | 18" wide | 35.250" | White | LC16SDR18ST-RFW627 |

In Stock Modular Laboratory Bench with Economy Cabinets

BASE BENCH

| | |
|--------------------------|------------|
| LHD603034/HDLE/CGRWF-627 | CHEM-GUARD |
| LHD603034/HDLE/ERRWF-627 | RESIN |
| LHD603034/HDLE/SSRWF-627 | STAINLESS |

OPTIONAL ACCESSORIES

| | |
|---------------------|------------------------------|
| TLC-4 | SET OF FOUR LOCKABLE CASTERS |
| HDUR60-RFW-627 | ONE PAIR UPRIGHTS |
| FR60-RFW-627 | FOOT REST |
| ESMR60/ES48-RFW-627 | POWER SUPPLY & RAIL |
| WMS1.5/60 | WIRE MANAGEMENT 60"L |
| TL36/D-RFW-627 | DUAL BULB LIGHT FIXTURE |
| SDC60/SGL/RFW-627 | OVERHEAD CABINET |
| CGL | ECONOMY CABINET DRAWER LOCK |

IN STOCK

MODEL #

| | |
|-------------|----------|
| LHD603034CG | A |
| HDUR60 | B |
| TLC-4 | C |
| FR60 | D |
| C1-6-SDL26 | E |
| C4-626 | F |
| ESMR60/ES48 | G |
| LT36D | H |
| SDC60/SGLD | I |
| WMS1.5 | J |

HATFIELD

stocks modular heavy duty lab bench model LHD 60" long x 34" deep x 34" high with a textured white powder coat finish with three work surface choices. Black epoxy resin, black Chem-guard and stainless steel.

We also stock five hanging economy cabinets with two tone textured blue outer housing and textured white drawers and doors. The economy cabinets are 18" wide x 26" deep x 27.5" high.

The model LHD offers a modular design that allows you to pick and choose options you require to build the lab bench you need.

Optional accessories include cabinets, uprights, power supplies, overhead cabinet with sliding glass doors, foot rest and under cabinet lighting all painted textured white to match the frame. We also offer total lock casters to make your lab bench mobile.



Economy Cabinets

| Swing Door Right | Swing Door Left | | Swing Door Right | Swing Door Left |
|-------------------------|-------------------------|----------------|---|---|
| CSDR26 | CSDL26 | C4-626 | C1-6-SDR26 | C1-6-SDL26 |
| | | | | |
| 24" Locker w/shelf (1x) | 24" Locker w/shelf (1x) | 6" Drawer (4x) | 6" Drawer (1x) 18" Locker w/shelf (1x) | 6" Drawer (1x) 18" Locker w/shelf (1x) |

In stock products ship in 5 business days or less. We guarantee 10 pieces per model and color will be in stock. For quantities larger than 10 call our factory for availability.

Swing door pricing includes lock.

For more options on our economy model cabinets go to <http://www.1proline.com/Prolab/Economy/economy.html>

* In stock islands available with black Chem-guard or black epoxy resin work surfaces as shown on front cover. Islands to be painted textured beige with black accent strip on upright as shown. Available in stock starting May 2012 up to 10 islands to ship in 5 days or less. For quantities larger than 10 call for availability.

HATFIELD, Inc.

10 Avco RD
Haverhill MA 01835
Toll Free 800 739 9067
FX 978 374 4885
www.hatfieldlabfurniture.com
Div. of R.W. Hatfield Co. Inc.



Examples of past orders



Call us to help with your lab specifications.